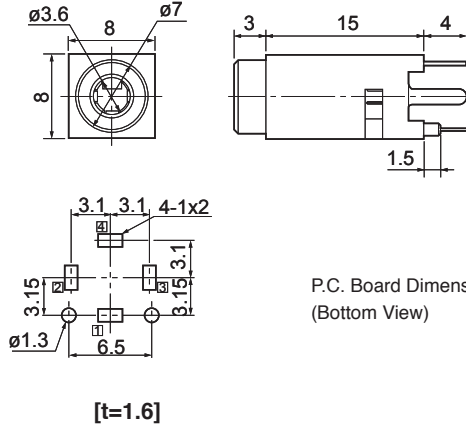
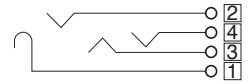


3.5mm Dia. Jacks

LGT1509-0200F



Circuits



Flow Soldering

Manual Soldering

DIP Type

Mini Jacks