



■ Outline

A wide-angle compact CMOS camera module offering 300,000 pixels and suitable for in-car use.

■ Features

1. CMOS single chip that enables switching between normal, adjust distortion and bird's-eye views.
2. Option of lenses for field angles of 190° or 132°.
3. Superior performance under low illumination and handles imaging in dim light.
4. Superior image pick-up performance due to an optimized lens system.

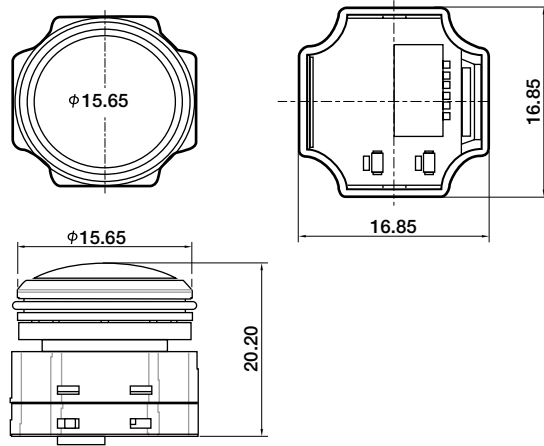
■ Specification

- Image Format 640×480 VGA
- Dimension 16.85mm(W)×16.85mm(D)×
20.20mm(H)
- Effective Image-Pick Size
..... 1/4 inch
- Horizontal Field Angle
..... 190° or 132°
- F Values 2.6 with 190°; 2.8 with 132°
- Operating Temperature Range
..... -40°C to +85°C
- Supply Voltage +4.0V to 7.0V DC
- Output Format NTSC/PAL

■ Application

In-car view cameras, drive recorders, monitoring, security, etc.

■ Dimension

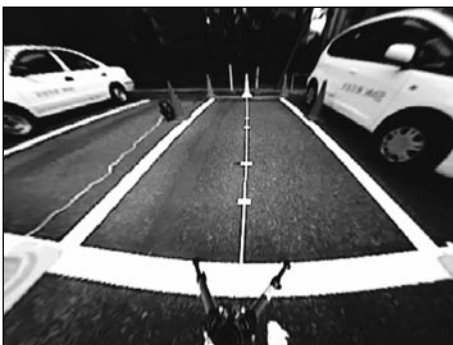


■ Image processing function

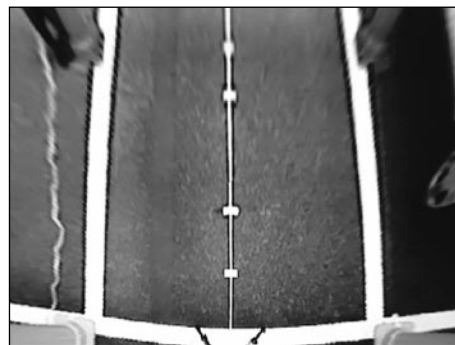
[Normal vie]



[Adjust distortion view]



[Bird's-eye-view]



⚠ Caution

- Specification is subject to change without prior notice for improving performance of the product and so on.
- Dimension and specification described herein are limited to major items. When applying the products, please confirm details the drawing and spec sheets which will be provided upon request.
- Every product carried here is compliant to RoHS* requirements. For detail, please refer to our sales representative.

*RoHS Directive : An EU Directive for restriction of the use of certain hazardous substances in electrical and electronic equipment.

SMK CORPORATION <http://www.smk.co.jp/>

No. 5-5, Togoshi 6-chome, Shinagawa-ku, Tokyo 142-8511, Japan
 TEL : +81-3-3785-1111 FAX : +81-3-3785-1122

Represented by **FC Division, Sales Dept.** TEL : +81-3-3785-1105
 FAX : +81-3-3785-7166