

# PB-8 Series 0.8mm Pitch



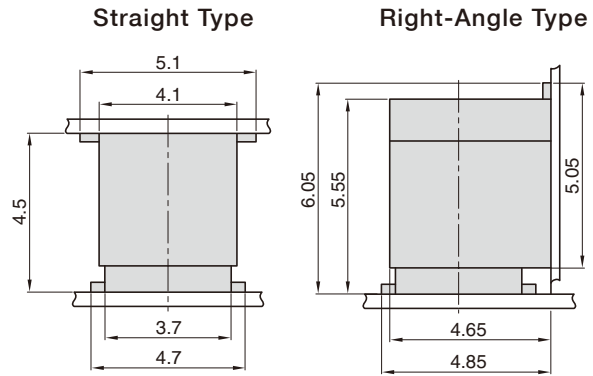
### ■ Features

1. Plugs are available in straight and right-angle type.
2. Non-pin type structure assures easy, light insertion.

### ■ Specification

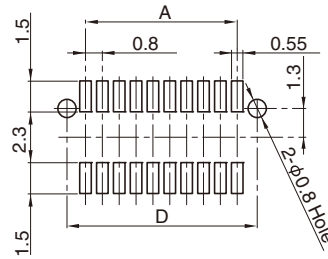
1. Rating : 0.5A, 50V AC/DC
2. Contact Resistance : 20mΩ max.
3. Insulation Resistance : 100MΩ min.at 500V DC
4. Withstanding Voltage : AC 500V (for one minute)
5. Operating Temperature Range : -30°C to +85°C
6. Packing : 1,000pcs/reel

### ■ Connection Diagram

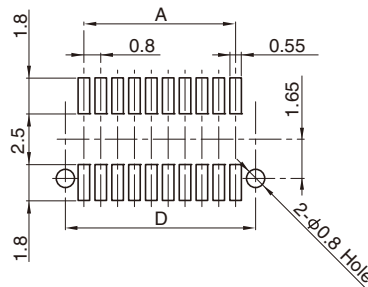


### ■ P. C. Board Dimension

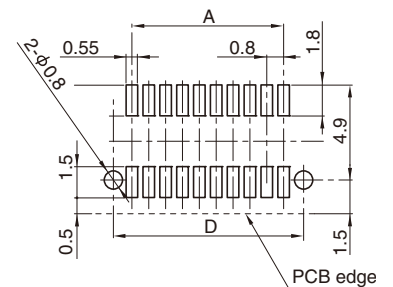
Socket



Straight Plug



Right-Angle Plug



● Socket CPB 81  $\square\square$ - $\square\square$  $\times$  $\times$  $\times$  $\times$ F

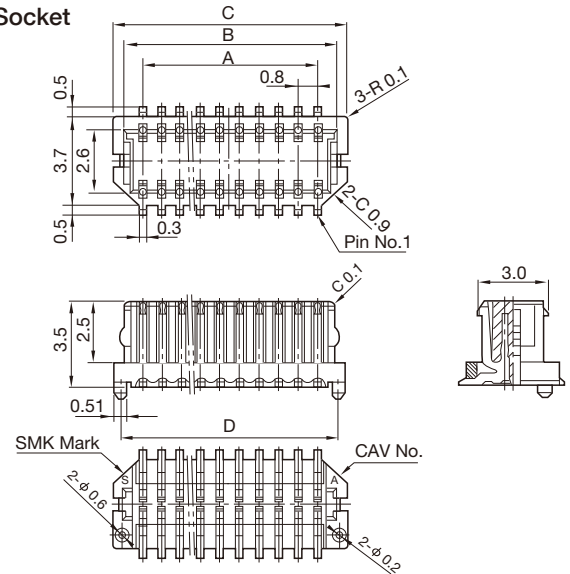
↑ No. of Pins

$\square\square$	A	B	C	D	$\square\square$	A	B	C	D
10	3.2	4.8	5.6	5.0	28	10.4	12.0	12.8	12.2
12	4.0	5.6	6.4	5.8	30	11.2	12.8	13.6	13.0
14	4.8	6.4	7.2	6.6	32	12.0	13.6	14.4	13.8
16	5.6	7.2	8.0	7.4	34	12.8	14.4	15.2	14.6
18	6.4	8.0	8.8	8.2	36	13.6	15.2	16.0	15.4
20	7.2	8.8	9.6	9.0	38	14.4	16.0	16.8	16.2
22	8.0	9.6	10.4	9.8	40	15.2	16.8	17.6	17.0
24	8.8	10.4	11.2	10.6	48	18.4	20.0	20.8	20.2
26	9.6	11.2	12.0	11.4	54	20.8	22.4	23.2	22.6

■ Material and Plating

- Housing : Thermoplastic Resin, Natural Color
- Contact : Cu Alloy, Au Plating (Contact Sections), Sn Plating (Solder Sections)
- Hold Down : Cu Alloy, Sn Plating

Socket



● Plug CPB 82  $\square\square$ - $\square\square$  $\times$  $\times$  $\times$  $\times$ F (Straight Type)

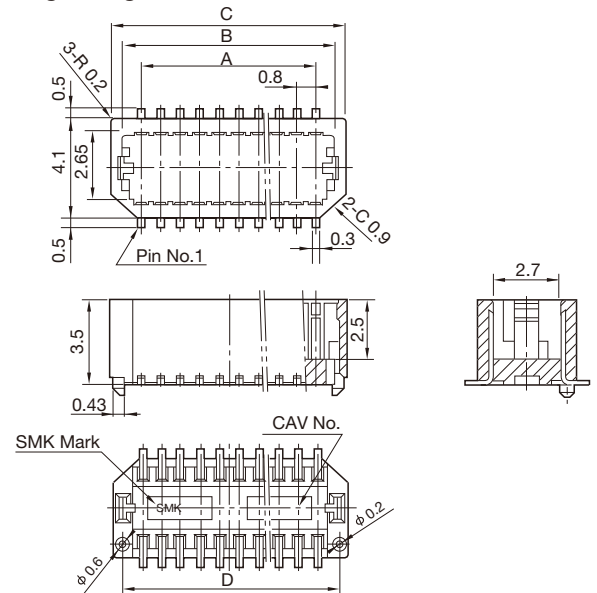
CPB 83  $\square\square$ - $\square\square$  $\times$  $\times$  $\times$  $\times$ F (Right-Angle Type)

↑ No. of Pins

$\square\square$	A	B	C	D	$\square\square$	A	B	C	D
10	3.2	4.9	5.8	5.0	28	10.4	12.1	13.0	12.2
12	4.0	5.7	6.6	5.8	30	11.2	12.9	13.8	13.0
14	4.8	6.5	7.4	6.6	32 *	12.0	13.7	14.6	13.8
16	5.6	7.3	8.2	7.4	34 *	12.8	14.5	15.4	14.6
18	6.4	8.1	9.0	8.2	36	13.6	15.3	16.2	15.4
20	7.2	8.9	9.8	9.0	38 *	14.4	16.1	17.0	16.2
22	8.0	9.7	10.6	9.8	40	15.2	16.9	17.8	17.0
24 *	8.8	10.5	11.4	10.6	48	18.4	20.1	21.0	20.2
26	9.6	11.3	12.2	11.4	54	20.8	22.5	23.4	22.6

\* Only right-angle type

Straight Plug



■ Material and Plating

- Housing : Thermoplastic Resin, Natural Color
- Contact : Cu Alloy, Au Plating (Contact Sections), Sn Plating (Solder Sections)
- Hold Down : Cu Alloy, Sn Plating

■ Variation

	$\square\square$	Hold Down
Socket	03	Without
	04	With
Plug	04	Without
	05	With

$\square\square$	Boss
10	Without
11	With

Right-Angle Plug

