

Bluetooth® Smart Module BTS01 Series

■ Outline

BTS01 series units are compact, built-in type modules based on the Bluetooth® Ver.4.1(Single Mode Low Energy Radio) technology.

■ Features

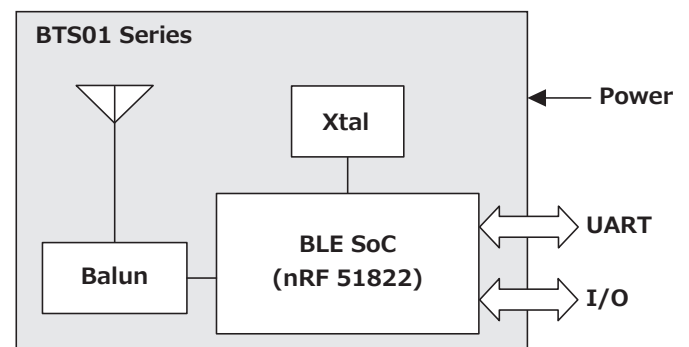
- 1.Surface mounting module with a built-in antenna.
- 2.Blank modules and complete modules with embedded profiles are provided as well.
- 3.Supports slave mode operation only.
- 4.Available for several institutions (Bluetooth® SIG, Radio Act related certification bodies, FCC, IC, and CE marking).
- 5.The evaluation kit useful for the evaluation and development efforts at the customer's end is also available on request.



■ Specification

Bluetooth® Specification	Ver.4.1(Single Mode Low Energy Radio)
Bluetooth QDID	67230
Output Power	+4dBm max.
Upper Interface	UART
Power Supply	DC2.1 to 3.6V
Dimension	18mm(W)×9mm(D)×2.5mm(H)
Operating Temperature Range	-20°C to +70°C
Radio Law Certification	Japan、FCC、IC

■ Block Diagram



■ Application

Health care devices, wearable devices, smart phone accessories, commercial service devices, industrial devices, etc.

■ Evaluation Kit

Tools for supporting the evaluation of BTS01 series devices.

Communications setting and a simple transmitting test can be conducted by the customer.

※When the customer would use these products as blank modules, the evaluation kit prepared by Nordic Semiconductors need be purchased by the customer's own.

※After July 1, 2020, Bluetooth® Specification Version 4.1 will be withdrawn.

Since then, please note that you can not register QD - EPL (Qualified Design - End Product Listing) using this module at all. FYI, products that were registered before withdrawal can be sold continuously even after withdrawal.

※The Bluetooth® word mark and logos are registered trademarks owned by Bluetooth® SIG, Inc. and any use of such marks by SMK is under license.