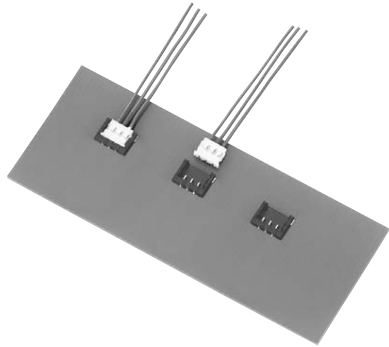


# Wire to Board Connectors

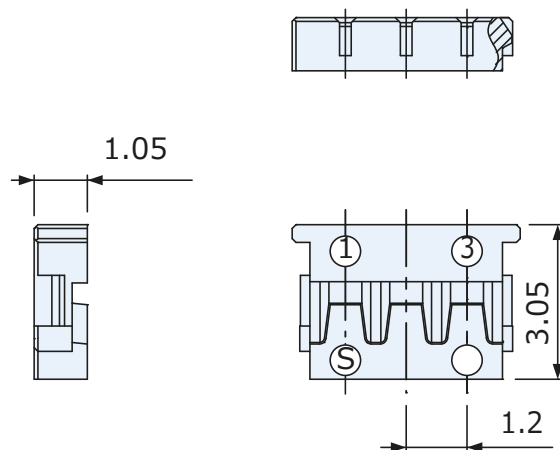
## CPL-1.2 Series(1.2mm Pitch)



### Wire to Board Crimp Connectors

- Low profile and small size
  - Top entry type
  - Terminal Part No. : CTA1128-03□□F
  - Applicable Wire Size : AWG 30 to 28
  - No. of Pins (□) : 2,3,6
  - Mating Height : 1.2mm
  - Rating : 2A, 30V AC/DC(AWG 28 wire is used)
- Twin types of 3 pins + 3 pins are also available.

### Receptacle CPL610□-01□□F (Harness side)



### Plug CPL650□-□□□□F (Board side)

