

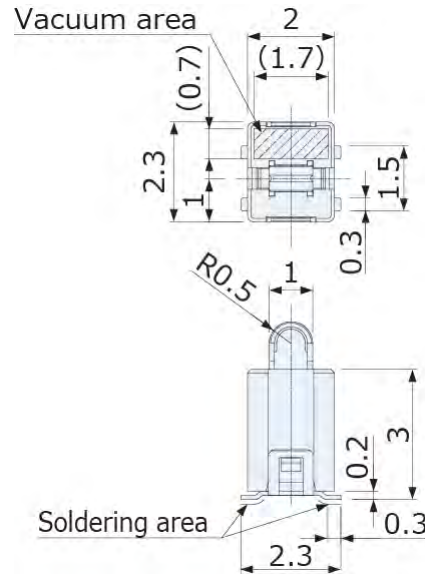
Battery Connectors

High Performance pogo pin Type Terminals

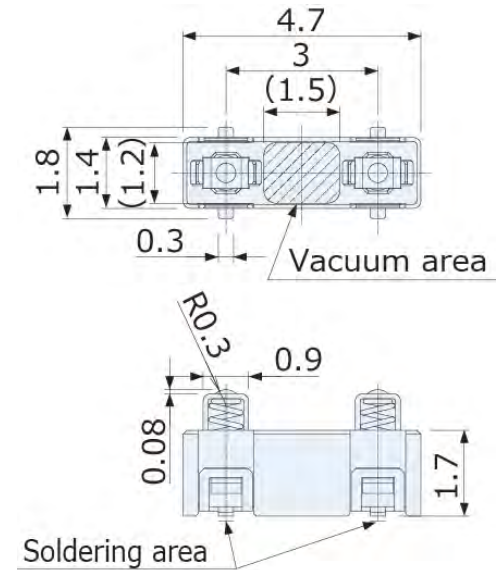
- Space saving
- With various stack heights
- Ensures its high contact reliability through its unique internal structure



1 Pin CSS5301-6300F



2 Pin CSS5302-4001F



No. of Pins	Part No.	Contact Pressure	Working Height	Housing Height	Rating
1	CSS5301-8600F	0.5±0.2N	1.0~1.15	0.95	3A max., 12V DC
	CSS5301-4310F	0.8±0.2N	2.0~2.6	1.9	
	CSS5301-6300F	0.8±0.2N	3.2~3.8	3.0	
	CSS5301-6800F	0.8±0.2N	3.6~4.2	3.0	
	CSS5301-6400F	0.8±0.2N	4.4~5.0	3.0	
	CSS5301-1E00F	0.8±0.2N	4.8~5.4	3.0	

No. of Pins	Part No.	Contact Pressure	Working Height	Housing Height	Pitch	Rating
2	CSS5302-4001F	0.8±0.2N	1.7~2.3	1.7	3.0	2A max., 12V DC
	CSB0702-3300F	0.8±0.2N	2.0~2.6	1.9	3.0	
	CSB0702-3400F	0.8±0.2N	2.3~2.9	1.9	3.0	
	CSB0702-2900F	0.8±0.2N	2.7~3.3	1.9	3.0	
	CSB0102-4401F	0.8±0.2N	2.7~3.3	1.9	2.0	