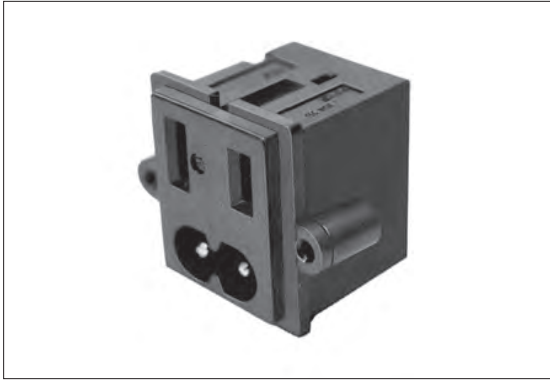


Power Connectors



CCT9304-0101F

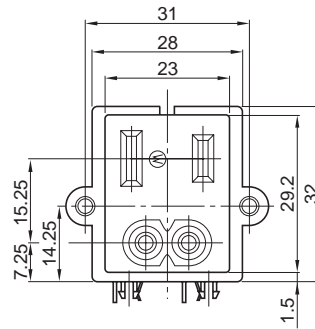
Inlet / Outlet

■ Specification

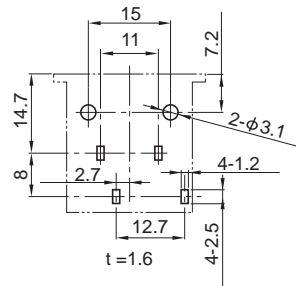
1. Rating : 5A, 125V AC
2. Contact Resistance : 50mΩ max.
(for AC outlet section)
3. Insulation Resistance : 300MΩ min. at 500V DC
4. Withstanding Voltage : 2000V AC (for one minute)
5. Operating Temperature Range : -20°C to +100°C
6. Main Unit Material : Thermoplastic Resin, Black, 94V-1
7. Catalog No. : IR34
8. International Standard :
IEC60320-1, Standard sheet C8

■ Note

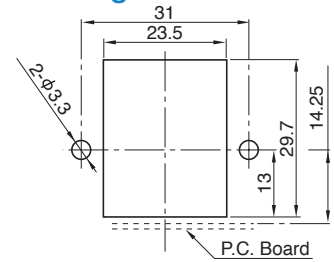
1. Independent type from the printed circuit board.
2. Can be fixed to the chassis with two tapping screws (3mm).



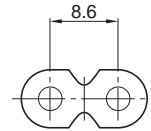
■ P.C. Board Dimension (Top View)



■ Mounting Holes for Panel



■ Applicable Plug



1. プリント基板に自立する構造です。
2. シャーシに2ヶ所のタッピングネジ(3mm)で固定できます。