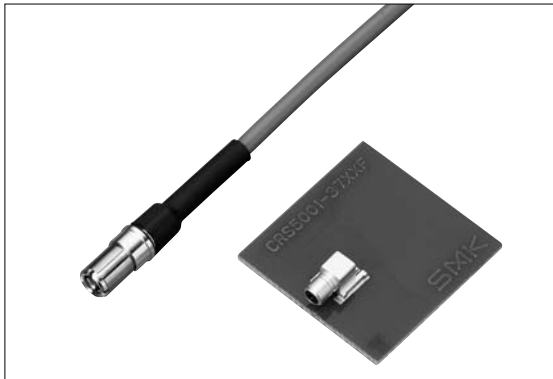


RF Coaxial Connectors with Switch (SMT), TS-9 Series <3GHz>



Features

1. An externally connectable right angled coaxial connector with switch (3.2mm height).
2. A wide frequency coverage of DC up to 3GHz with excellent frequency characteristics.
3. Half-locking structure with the plug is providing a positiveclicking feeling.
4. Embossed tapping for automatic mounter.

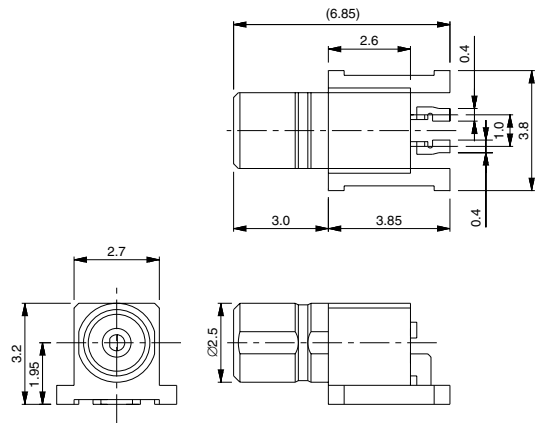
Specification

1. Rating : 100C AC/DC
2. Frequency Range : DC to 3GHz
3. Nominal Impedance : 50Ω
4. V. S. W. R. : 1.3 max. (DC to 1GHz)
1.5 max. (1 to 3GHz)
5. Insertion Loss : 0.2 dB max. (DC to 1GHz)
0.3 dB max. (1 to 3GHz)
6. Operating Temperature Range : -25°C to +85°C
7. Mating Life : 5,000 cycles

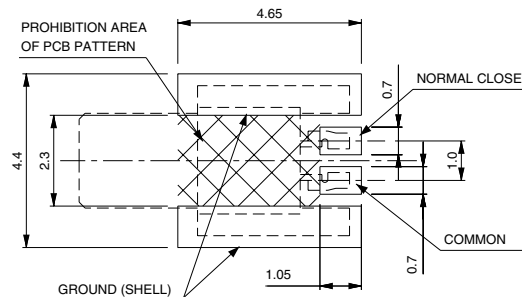
Material and Plating (Receptacle)

- Housing : Thermoplastic Resin
- Contact : Cu Alloy, Au Plating
- Shell : Diecasting

● Receptacle CRS5001-3702F



■ P.C. Board Dimension



(Tolerance±0.05mm)

● Plug CRC9001-5301F

