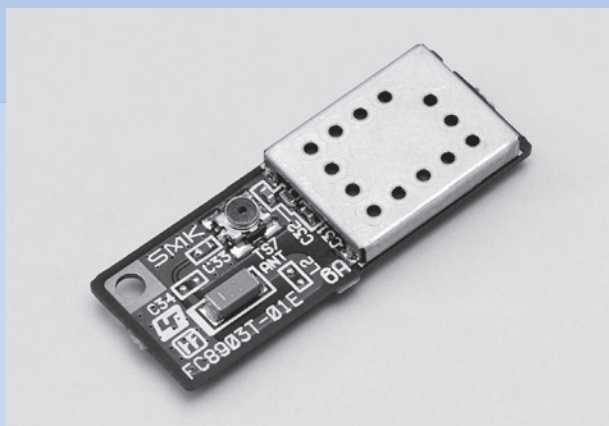


SMK W-LAN Complete Module



■ Concept

Development of a small-type W-LAN module
This product is a W-LAN complete module embedded with a small-type antenna which improves the possibility of installation in mobile equipment and other applications.

Because wireless authentication^(*) is obtained by the module hardware, wireless authentication is not necessary in the application side, contributing to reduced development costs and shortened development periods.

(*1) Scheduled wireless authentication countries: Japan, US, Canada

(In Europe, wireless testing is due to be conducted by prescribed organizations and a declaration of conformity (DOC) statement will be made)

■ Application

- Digital still cameras, camcorders, TVs, Blu-ray, and other AV equipment
- PCs, printers, and other industrial equipment
- Airconditioners, lightings, and other home electrical appliances, etc.

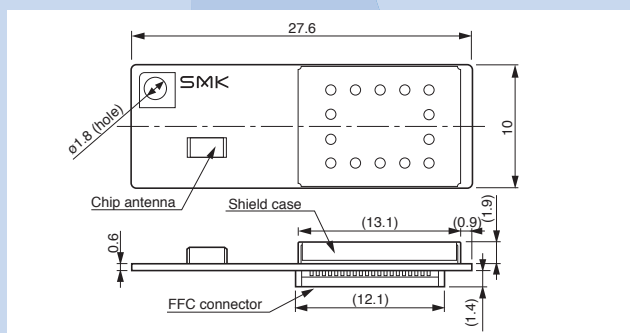
■ General Features

Item	Specification	
Power-Supply Voltage	VDD	3.2 to 4.2V (typ.3.3V)
	+1V8	1.8V (Analog power)
	VIO	1.8/2.6/3.3V (SDIO I/F power)
Operating Temperature Range	-20°C to +70°C	
External Input Clock	32.768kHz (SLP CLK)	
Upper Interface	SDIO	
External Connection	FFC 20pin	
External Dimension	10.0mm(W) x 27.6mm(D) x 3.9mm(H) *Reference dimension	

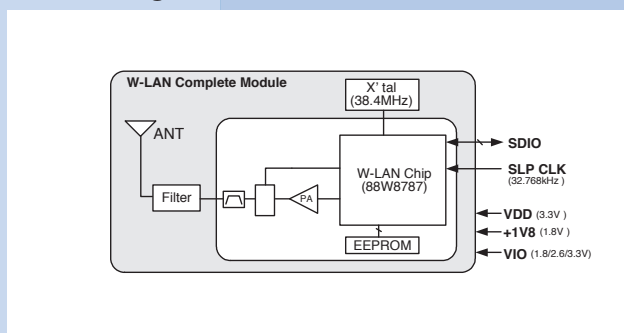
■ Wireless Section Specification

Item	Specification	Unit	Remarks
Wireless LAN Standard	IEEE802.11 b/g/n	-	
Frequency Range	2400 to 2483.5	MHz	ch1 to ch13
Antenna	Internal antenna	-	Chip Antenna
Transmission Output	15 (typ.)	dBm	IEEE802.11b (at coaxial connector)
	11 (typ.)	dBm	IEEE802.11g (at coaxial connector)
	11 (typ.)	dBm	IEEE802.11n (at coaxial connector)

■ Dimension



■ Block Diagram



PICKUPNEWS

SMK CORPORATION <http://www.smk.co.jp/>
No. 5-5, Togoshi 6-chome, Shinagawa-ku, Tokyo 142-8511, Japan
Tel : +81-3-3785-1111 Fax : +81-3-3785-1122

FC Division, Sales Dept. TEL : +81-3-3785-1127
FAX : +81-3-3788-7166

⚠ Caution

- Specification is subject to change without prior notice for improving performance of the product and so on.
- Dimension and specification described herein are limited to major items. When applying the products, please confirm details the drawing and spec sheets which will be provided upon request.
- Every product carried here is compliant to RoHS* requirements. For detail, please refer to our sales representative.

*RoHS Directive : An EU Directive for restriction of the use of certain hazardous substances in electrical and electronic equipment.

PRINTED IN JAPAN
2011.9.1,500 ⑥