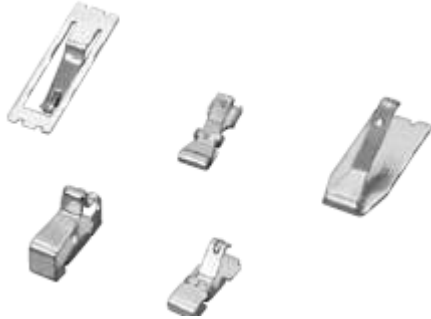


Earth Terminals

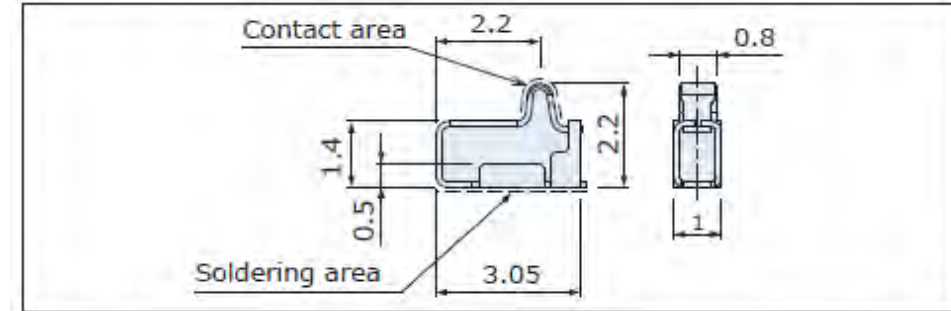
Click the light blue part number to go to the detail page

Earth Terminals ET Series

- With various stack heights



ET-7 series [415CPB-073-56F](#)



Series	Part No.	Contact Pressure	Working Height	Rating
ET-6	415CPB-071-52F	0.2~0.7N	2.3~2.8	3A max., 12V DC
ET-7	415CPB-073-56F	0.2~0.8N	1.5~2.0	3A max., 12V DC
ET-9	415CPB-092-52F	0.2~0.6N	0.45~0.75	3A max., 10V DC
ET-10	415CPB-093-50F	0.3~0.95N	0.75~1.1	3A max., 12V DC
ET-12	415CPB-098-58F	0.25~0.85N	0.6~0.9	3A max., 5V DC
ET-14	415CPB-103-50F	0.3~0.95N	0.65~0.85	3A max., 5V AC/DC
ET-15	415CPB-105-50F	0.2~0.5N	0.5~0.75	3A max., 12V AC/DC
ET-17	415CPB-114-50F	0.2~0.8N	1.5~2.0	3A max., 5V AC/DC
ET-18	415CPB-126-52F	0.3~0.8N	0.85~1.25	3A max., 5V DC
ET-19	415CPB-138-52F	0.3~1.05N	0.2~0.4	3A max., 5V DC

Earth Terminals

Click the light blue part number, product name to go to the detail page

ROBUST Earth Terminals

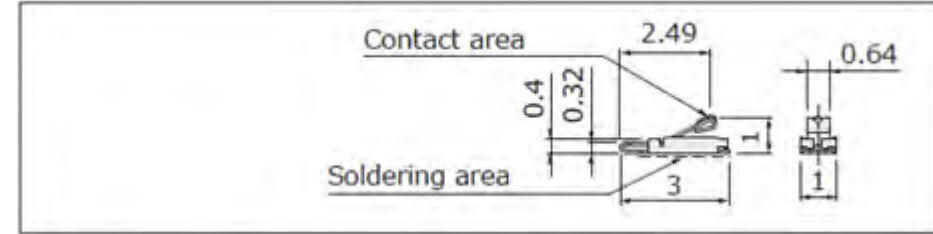
- Contact point deformation prevention structure
- With various stack heights
- The 415CPB-167-□□F and 415CPB-168-□□F substrates have a common layout



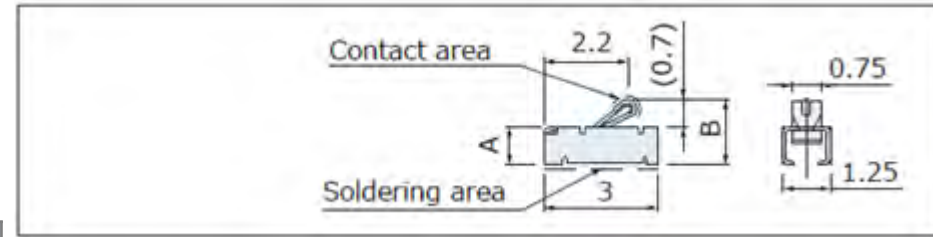
Part No.	Contact Pressure	Working Height	Rating
415CPB-165-52F	0.25~0.6N	0.45~0.75	3A max., 5V DC
415CPB-167-□□F	0.3~1.0N	0.6~1.4	2A max., 5V DC
415CPB-168-□□F	0.3~1.0N	1.2~3.2	2A max., 5V DC

□□ : Dimensions A and B are different by Part No.
Please contact us

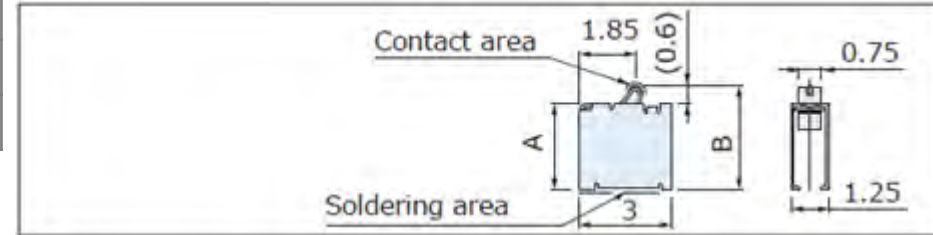
415CPB-165-52F



415CPB-167-□□F



415CPB-168-□□F



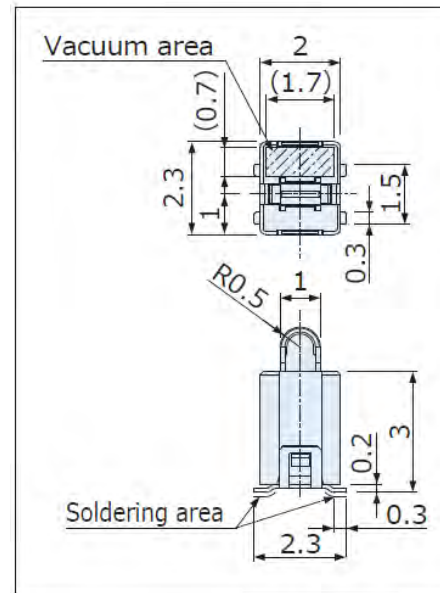
Battery Connectors

High Performance pogo pin Type Terminals

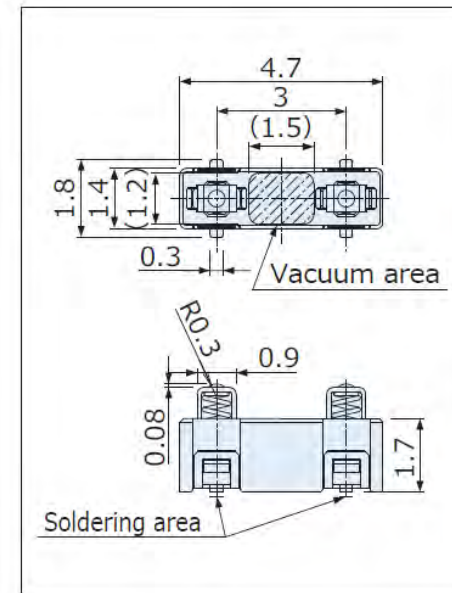
- Space saving
- With various stack heights
- Ensures its high contact reliability through its unique internal structure



1 Pin CSS5301-6300F



2 Pin CSS5302-4001F



No. of Pins	Part No.	Contact Pressure	Working Height	Housing Height	Rating
1	CSS5301-8600F	0.5±0.2N	1.0~1.15	0.95	3A max., 12V DC
	CSS5301-4310F	0.8±0.2N	2.0~2.6	1.9	
	CSS5301-6300F	0.8±0.2N	3.2~3.8	3.0	
	CSS5301-6800F	0.8±0.2N	3.6~4.2	3.0	
	CSS5301-6400F	0.8±0.2N	4.4~5.0	3.0	
	CSS5301-1E00F	0.8±0.2N	4.8~5.4	3.0	

No. of Pins	Part No.	Contact Pressure	Working Height	Housing Height	Pitch	Rating
2	CSS5302-4001F	0.8±0.2N	1.7~2.3	1.7	3.0	2A max., 12V DC
	CSB0702-3300F	0.8±0.2N	2.0~2.6	1.9	3.0	
	CSB0702-3400F	0.8±0.2N	2.3~2.9	1.9	3.0	
	CSB0702-2900F	0.8±0.2N	2.7~3.3	1.9	3.0	
	CSB0102-4401F	0.8±0.2N	2.7~3.3	1.9	2.0	