

RF Coaxial Connectors

Coaxial Connectors for Automotive Camera Module (Small Type): CM-S Series

■ Features

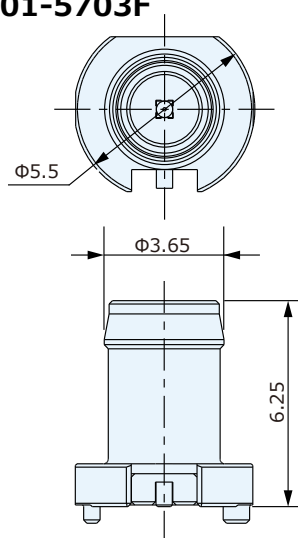
1. This is a connector for high pixel type automotive camera modules.
2. Covers a wide operating frequency range from DC to 3GHz, and achieves excellent high frequency performance.
3. Waterproofing : IPX7 (Mating waterproof)
4. Straight and right angle types of plugs are available.
5. Conversion adaptor to convert FAKRA coaxial connector is also available.

■ Specifications

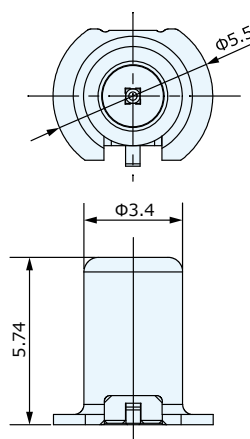
- Floating Structure with mating alignment : $\pm 0.25\text{mm}$
- Frequency Range : DC to 3GHz
- Nominal Impedance : 50Ω
- Operating Temperature Range : -40°C to $+105^{\circ}\text{C}$



Receptacle : CRC5001-5703F



Receptacle : CRC5001-8301F

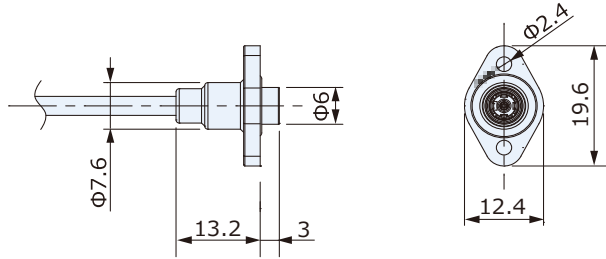


RF Coaxial Connectors

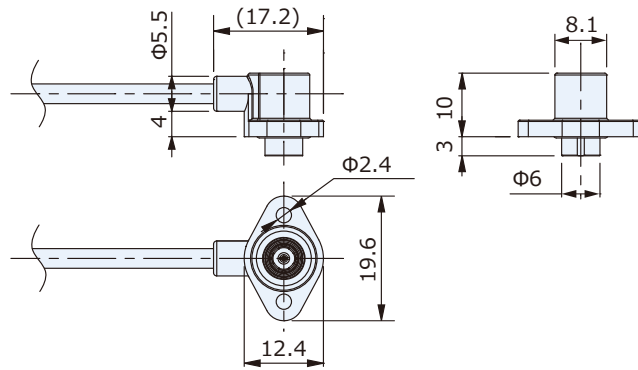
Coaxial Connectors for Automotive Camera Module (Small Type): CM-S Series



Plug(Straight Type) : CRS9001-3201F



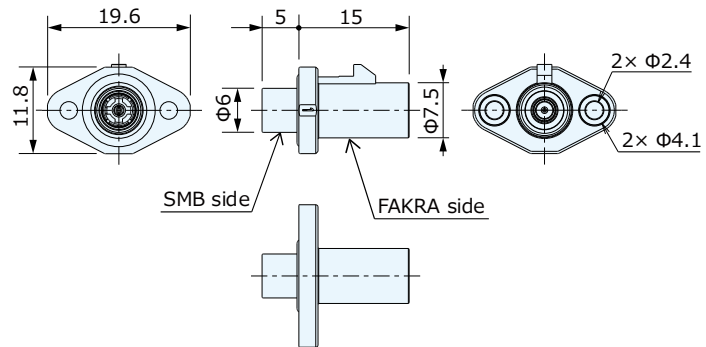
Plug(Right-Angle Type) : CRS9001-3101F



□□ : It depends on the mating key. Please contact us for details.



Conversion Adapter : CKV9001-01□□F



Conversion Adapter : CKV9001-02□□F

