

Board to Wire Connectors

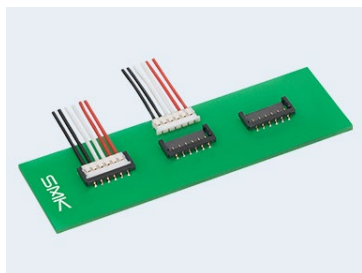
1.2mm Pitch Board to Wire Crimping Connectors : CPL-1.2 Series

■ Features

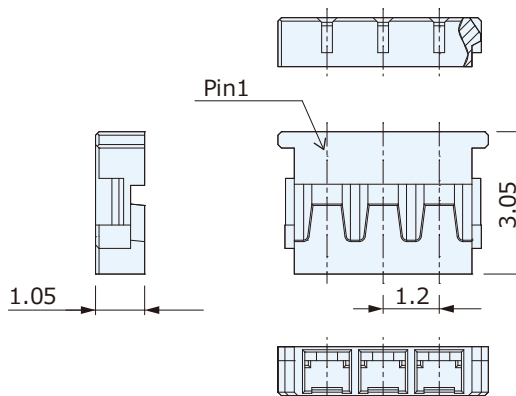
1. A low profile design wire to board crimping connector with 1.2mm mating height, contribute to downsizing equipment.
2. A top entry mating structure where the wire emerges horizontally.
3. Structure of holding both sides of the plug contact, the stable contact performance against vibrations, tilting uses and fretting is ensured.
4. Easy but ensured terminal insertion is due to a housing lance structure.

■ Specifications

- Pitch : 1.2mm
- Number of Pins : 2, 3, 6
- Rating : 30V AC/DC, 2A (AWG 28 wire is used)
- Method for Connection : Crimp
- Applicable Electrical Wire : AWG28 to 30
- Contact Resistance : 20mΩ max.
- Insulation Resistance : 1000MΩ min. at 500V DC
- Withstanding Voltage : 500V AC (for one minute)
- Operating Temperature Range : -25°C to +85°C
- Part No. of Terminal : CTA1128-0351F



Receptacle (Harness side) : CPL610□-01XXF



□	XX
2	10
3,6	01

Plug (Board side) : CPL650□-0101F

