

Detector Switches

Detector Switches : DSJ Series

■ Features

1. Ease in switching during rotation while folding/unfolding due to the use of a lever-shaped shaft.
2. Industry-leading compact size: 3.4×2.2×1.5mm.
3. As light as 0.3N force sufficient to operate this small detector switch.
4. Both of push-on and push-off types available.

■ Specifications

- External Dimension : 3.4 x 2.2 x 1.5mm
- Rating : DC 5V, 10mA
- Circuit : SPST
- Life Cycle : 100,000 cycles
- Operating Force : 0.3N
- Travel : 1.0mm
- Operating System : push-off/push-on
- Packing Quantity : 2,000pcs/Reel

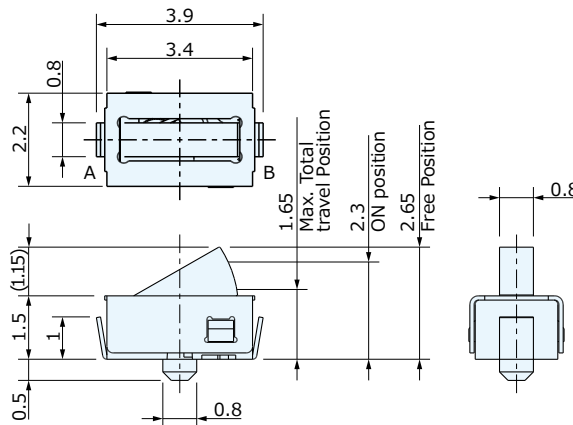
■ Product Lineup

Drawing No.	Operation	Boss
JPS1110-4311F	Push-on	With
JPS1110-6111F	Push-on	Without
JPS1110-6211F	Push-off	With
JPS1110-6311F	Push-off	Without

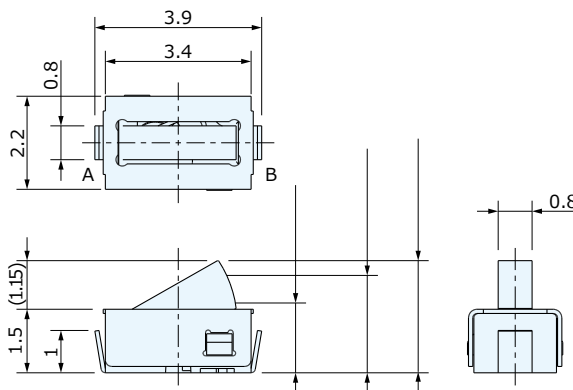


Outline Drawing

With Boss

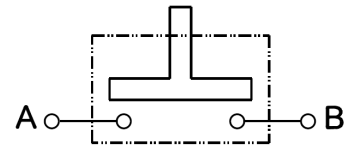


Without Boss

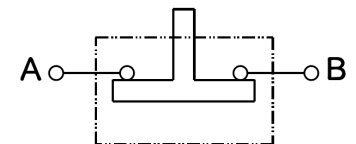


Circuit : SPST

Push-on

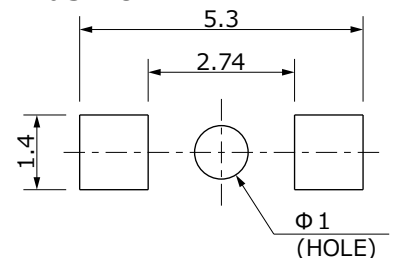


Push-off



P. C. Board Dimension

Push-on



Push-off

