

# Board to Board (FPC) Connectors

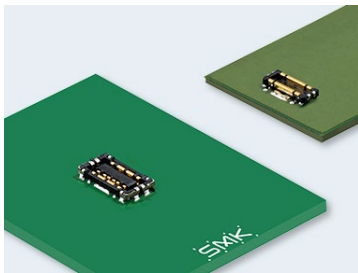
## Board to FPC Connectors: FB-8 Series

### ■ Features

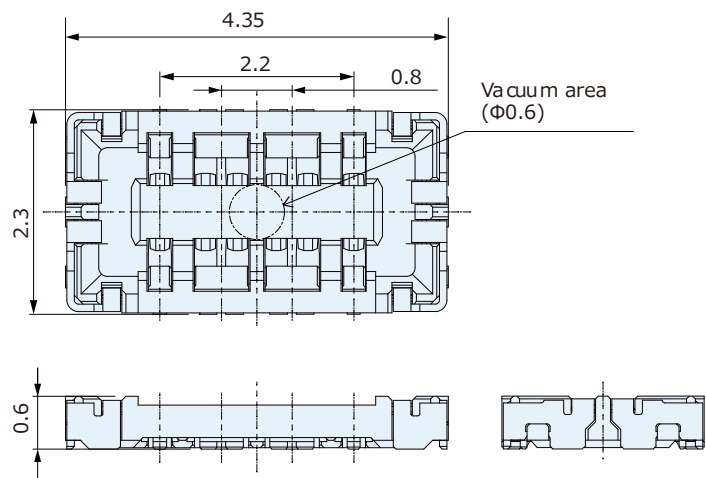
1. Large current connector for battery.
2. Highly reliable and stable connection using SMK's unique contact structure.
3. High retention force by SMK's unique locking mechanism on the contact terminal and hold-down.
4. Power terminal supports 8A current (when using 2pins for power).
5. Multiple pin count with 6pins satisfies the need of multifunctional battery (Power : 2Pin, Signal : 4Pin).
6. Low profile design with 0.6mm mating height, 2.3mm width and 4.35mm depth.

### ■ Specifications

- Pitch : 0.8mm
- Mating Height : 0.6mm
- Width : 2.3mm (Socket)
- Number of Pins : 6 (Power : 2Pin, Signal : 4Pin)
- Rating : 20V AC/DC, 8.0A/pin (Power), 1.0A/pin (Signal)
- Contact Resistance : 5mΩ max. (Power Pin), 30mΩ max. (Signal Pin)
- Insulation Resistance : 1000MΩ min. at 250V DC
- Withstanding Voltage : 200V AC (for one minute)
- Operating Temperature Range : -25°C to +85°C



**Socket : CPBA206-0101F**



**Plug : CPBA306-0101F**

