

Board to Board (FPC) Connectors

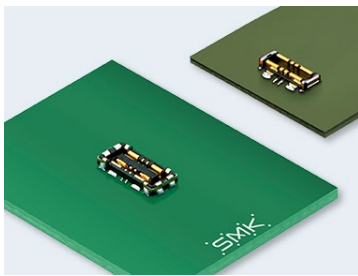
Board to FPC Connectors: FB-9 Series

■ Features

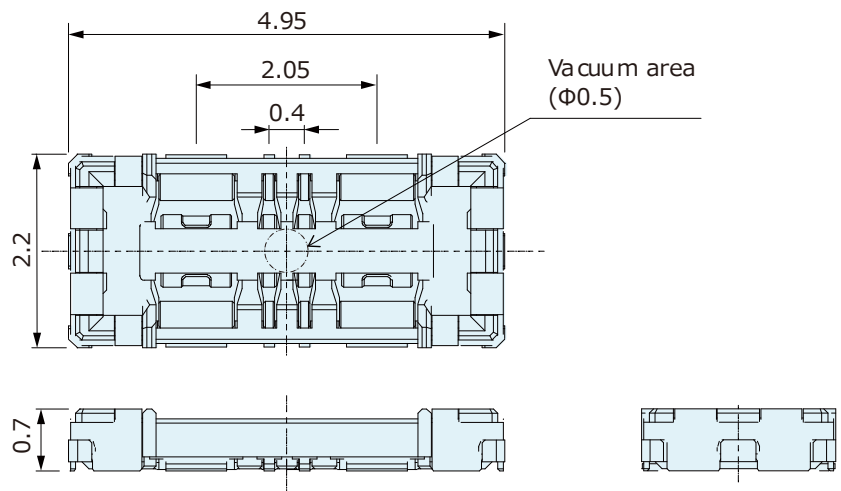
1. Large current connector for battery.
2. Highly reliable and stable connection using SMK's unique contact structure.
3. High retention force by SMK's unique locking mechanism on the contact terminal and hold-down.
4. Power terminal supports 15A current (when using 4pins for power).
5. Multiple pin count with 8pins satisfies the need of multifunctional battery (Power : 4Pin, Signal : 4Pin).
6. Low profile design with 0.7mm mating height, 2.2mm width and 4.95mm depth.

■ Specifications

- Pitch : 0.4mm
- Mating Height : 0.7mm
- Width : 2.2mm (Socket)
- Number of Pins : 8 (Power : 4Pin, Signal : 4Pin)
- Rating : 50V AC/DC, 7.5A/pin (Power), 1.5A/pin (Signal)
- Contact Resistance : 5mΩ max. (Power Pin), 30mΩ max. (Signal Pin)
- Insulation Resistance : 100MΩ min. at 100V DC
- Withstanding Voltage : 100V AC (for one minute)
- Operating Temperature Range : -40°C to +85°C



Socket : CPBC308-0301F



Plug : CPBC408-0301F

