

Interface Connectors

HDMI Type D Receptacles

■ Features

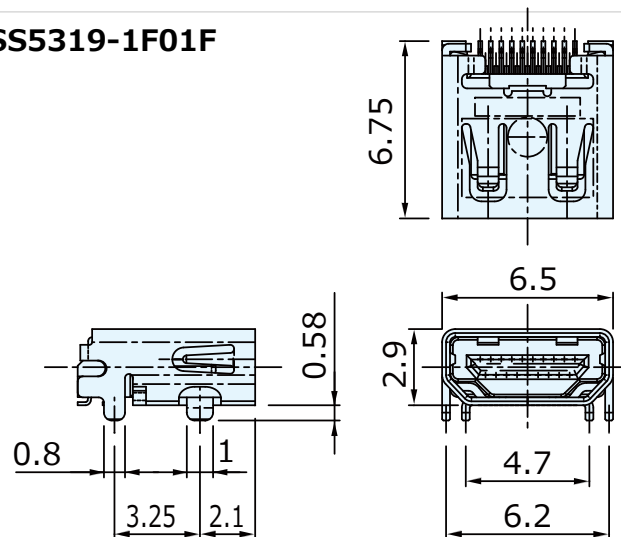
1. HDMI (Ver. 1.4) standard compliant.
2. Matching 100Ω differential impedance, it supports high-speed transmission.
3. Small and space saving of 6.75mm depth.
4. Can be easily inspected due to its structure, which enables the soldered portion to be visually checked after mounting.
5. Shell SMT and DIP(Reflow)-types are available.
(SMT:CSS5319-8E01F, DIP(Reflow):CSS5319-1F01F)
6. Supplied in embossed taping with an automatic mounter.

■ Specifications

- Number of Pins : 19
- Mounting Method : Contact: SMT, Shell: DIP(Reflow) or SMT
- Mounting Direction : Right Angle
- Rating : 40V AC, 0.3A
- Contact Resistance : 30mΩ max. (Contact), 50mΩ max. (Shell)
- Insulation Resistance : 100MΩ min. at 500V DC
- Withstanding Voltage : 250V AC (for one minute)
- Operating Temperature Range : -20°C to +85°C
- Operating Life : 5000 cycles



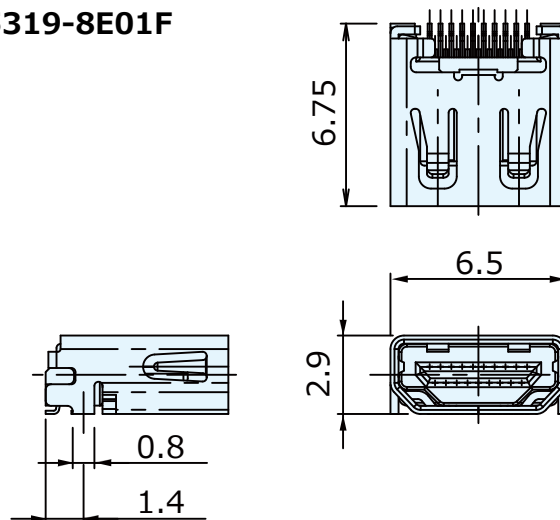
CSS5319-1F01F



Shell : DIP(Reflow)



CSS5319-8E01F



Shell : SMT