

Interface Connectors

High Speed Data Connector

■ Features

1. The product supports high-speed transmission protocols such as LVDS, USB2.0 and Ethernet.
2. Different colors of mating keys are available for connection identification.
3. Characteristic impedance is 100Ω.

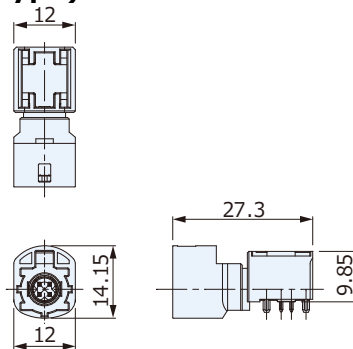
■ Specifications

- Number of Pins : 4
- Mounting Method : DIP
- Mounting Direction : Right Angle, Vertical
- Plug : Right Angle, Vertical
- Locking Joint System : Full-locking
- Rating : 100V DC, 1.5A
- Contact Resistance : 10mΩ max. (Signal contact), 7.5mΩ max. (Outer contact)
- Insulation Resistance : 1000MΩ min. at 500V DC
- Withstanding Voltage : 250V DC (for one minute)
- Operating Temperature Range : -40°C to +105°C
- Operating Life : 25 cycles

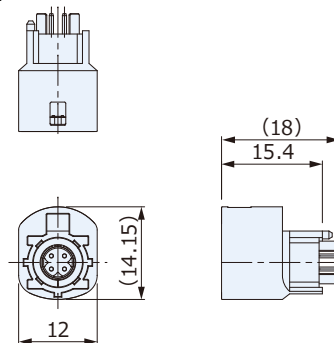
□□ : Differs by key codes and colors. Please contact us for more information.



Plug(Right Angle Type) : CSC5004-5C□□F



Plug(Vertical Type) : CSC5004-6C□□F



Cable Jack : CSS1004-50□□F

