

Board to Wire Connectors

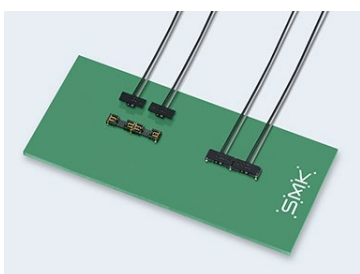
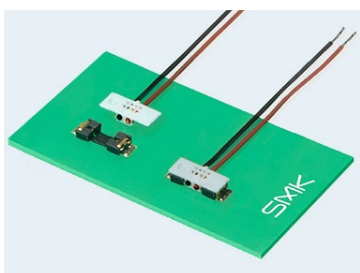
Board to Wire ID Method Connectors : ID-02 Series

■ Features

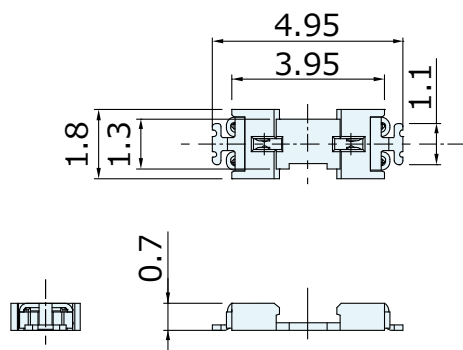
1. A low profile 2P wire to board connector of 0.75mm pitch and the industry's lowest mating height of 0.9mm.
2. Resistant to vibration and shocks when dropped and highly reliable due to a 2point contact structure.
3. Excellent cable retention performance and contact reliability due to double pressure connected cables at back and front.
4. Excellent mating retention force in addition to ensured clicking feeling during insertion and withdrawal due to the mold locking structure.

■ Specifications

- Pitch : 0.75mm
- Number of Pins : 2
- Rated Voltage AC/DC : 30V AC/DC, 1A
- Connection Method : Insulation displacement
- Applicable Electrical Wire : AWG32
- Contact Resistance : 20mΩ max., initially
- Insulation Resistance : 100MΩmin. at 250V DC
- Withstanding Voltage : 250V AC (for one minute)
- Operating Temperature Range : -30°C to +80°C

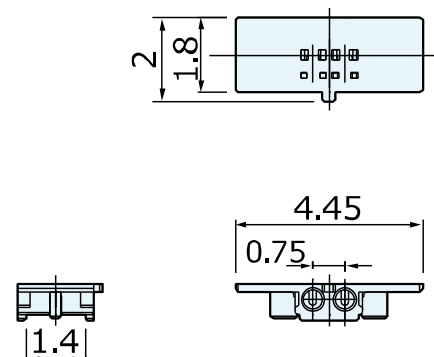


Receptacle(Board side) :
CFX3102-0220F

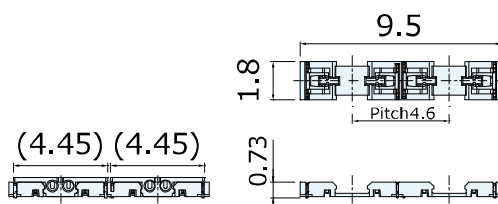


Low Profile Type

Plug(Harness side) :
CFX3302-02□□F



Receptacle(Board side) :
CFX3104-0300F



Dual Type