

RF Coaxial Connectors

Multi-Coaxial Connector : MH-1 Series

■ Features

1. Great multi-coaxial connector for automotive cameras and each antenna connection.
2. Four pin version is available.
3. Saves up PCB space up to 70% compared to SMK's 4x FAKRA
4. Covers a wide operating frequency range from DC to 6 GHz and achieves excellent high frequency performance.
5. The compatible cable is 1.5D coaxial cable (outer diameter $\Phi 3.0\text{mm}$).
6. Greatly enhanced noise resistant performance due to SMK original structure.
7. Seven key codes are available in different colors for different connection.
8. Receptacle supports automatic mounting with embossed tape.

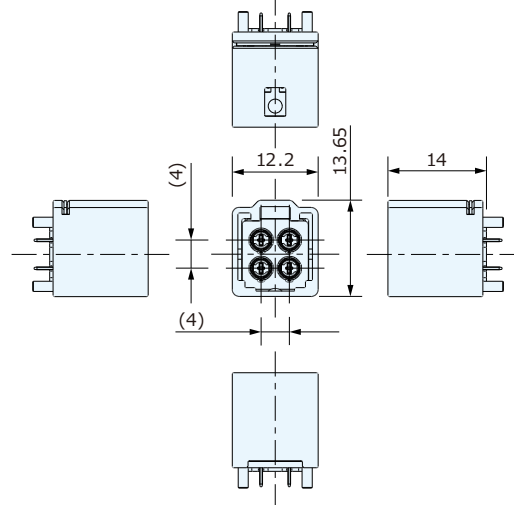
■ Specifications

- Frequency Impedance : DC to 6GHz
- Nominal Impedance : 50Ω
- V.S.W.R. : 1.5 max. (DC to 6GHz)
- Insertion Loss : 0.4dBmax. (DC to 3GHz), 0.6dBmax. (3 to 6GHz)
- Mounting Height : 14mm(Receptacle Vertical Type),
13.65mm(Receptacle Right Angle Type)
- Mounting Direction : Vertical, Right-angle
- Rating : 60V AC/DC, 1A
- Operating Temperature Range : -40°C to $+105^{\circ}\text{C}$

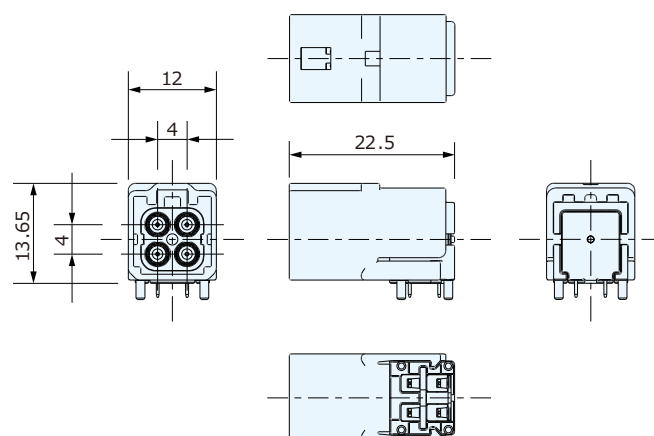
□□ : Differs by key codes and colors. Please contact us for more information.



Receptacle (Vertical Type) : CRC5004-96□□F



Receptacle (Right Angle Type) : CRC5004-2A□□F



RF Coaxial Connectors

Multi-Coaxial Connector : MH-1 Series



Cable Jack : CRS9004-501 □ F

