

# Interface Connectors

## Ethernet Connectors : SE-R1 Series

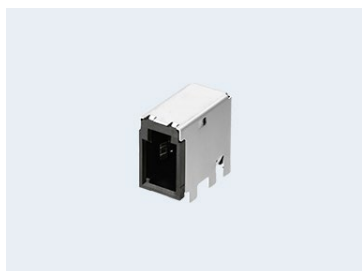
### ■ Features

1. 100BASE-T1 and 1000BASE-T1 compliant.
2. Applicable Cable: STP cable.
3. The narrow design with a width of 8.1mm (plug) allows for multiple uses.
4. High contact reliability with two-point contact structure.

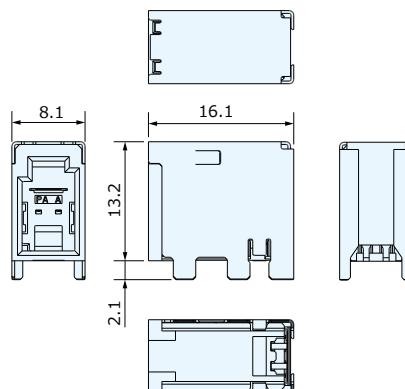
### ■ Specifications

- Number of Pins : 2
- Rated Voltage AC/DC : 50V DC, 1A
- Mounting Style : Terminal: SMT, Shell: DIP (Reflow)
- Mounting Direction : Right Angle
- Plug Shape : Right Angle
- Contact Resistance : 25mΩ max.
- Insulation Resistance : 100MΩ min. at 500V DC
- Withstanding Voltage : 100V AC (for one minute)
- Operating Temperature Range : -40°C to +105°C
- Mating Cycle Life : 10 cycles
- Impedance : 100Ω±5%
- Locking Strength : 110N min.
- Cable Tensile Strength : 100N min.

□□ : Part No. XX : Differs by key codes and colors.  
Please contact us for more information.



**Plug : CSC5002-3G□□F**



**Cable Jack : CSS1002-69□□F**

