

RF Coaxial Connectors

Rectangular Coaxial Connectors :TC-15 Series

■ Features

1. SMT-compatible rectangular coaxial connector
2. Operating frequency range: DC to 6 GHz with excellent high-frequency characteristics
3. Mid-mount receptacle, low-profile and compact
(mounting height: 4.5 mm, width: 12 mm, depth: 11 mm)
4. Metal lock mechanism for high mating retention force
5. Receptacle supplied in embossed tape for automatic mounting

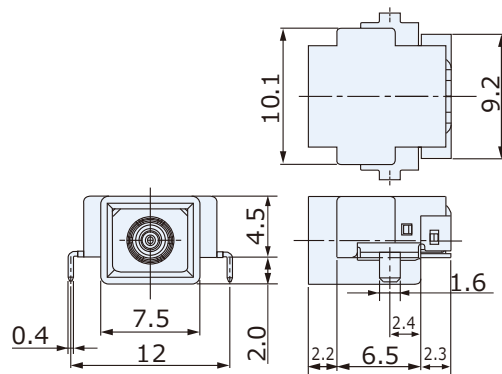
■ Specifications

- Frequency Range : DC to 6GHz
- Nominal Impedance : 50Ω
- V.S.W.R. : 1.5max.
- Mounting Height : 4.5mm (Receptacle)
- Mounting Direction : Right Angle
- Rated Voltage AC/DC : 250V AC (r.m.s.), 1A
- Operating Temperature Range : -40°C to +105°C
- Applicable Cable : 1.5D (Φ3mm)
- Cable Retention Force : 100 N min.
- Mating Cycle Life : 100 cycles

Nominal impedance 75 Ω versions are also available.
Specifications differ, so please contact us.



Receptacle : CRS5001-3202F



Plug : CRC9001-4402F

