

# Interface Connectors

## USB2.0 Micro-B Receptacle

### ■ Features

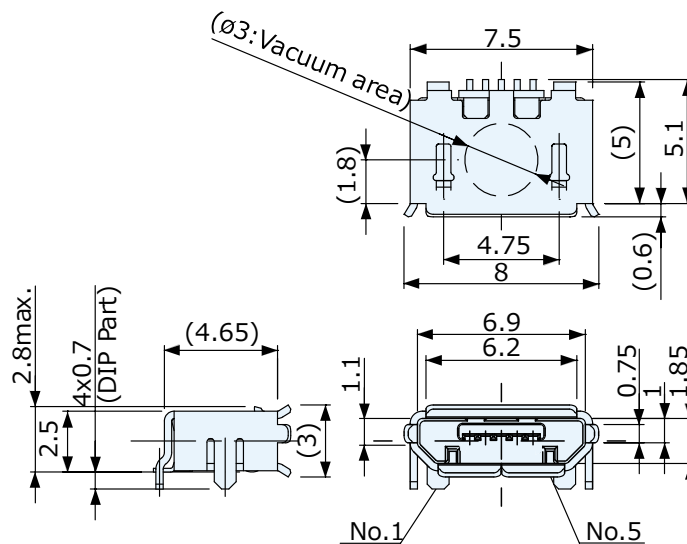
1. Conforms to the USB 2.0 specification.
2. Both normal type and reverse types available.

### ■ Specifications

- Number of Pins : 5
- Rating : 1.8A (power) 1.0A (signal), 30V AC
- Contact Resistance : 30mΩ max.
- Insulation Resistance : 1000MΩmin. at 500V DC
- Withstanding Voltage : 500V AC (for one minute)
- Operating Temperature Range : -30 °C to +80 °C
- Operating Life : 10000 cycles



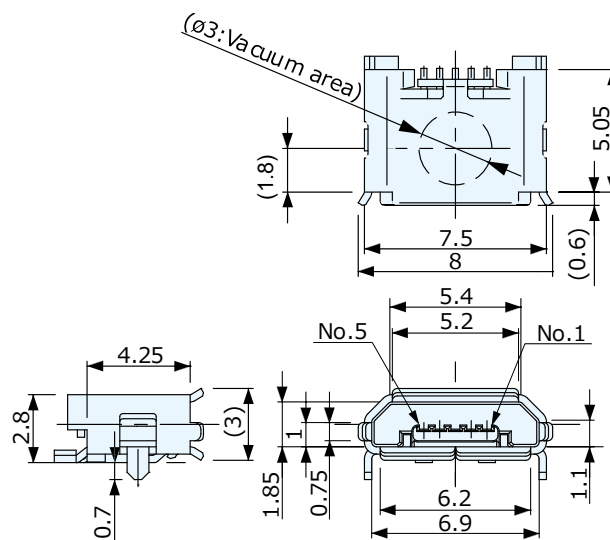
**CSS5005-4R11F**



**On Board  
Normal / Shell : DIP**



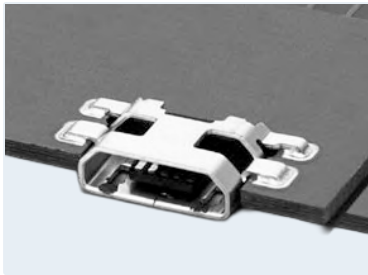
**CSS5305-0901F**



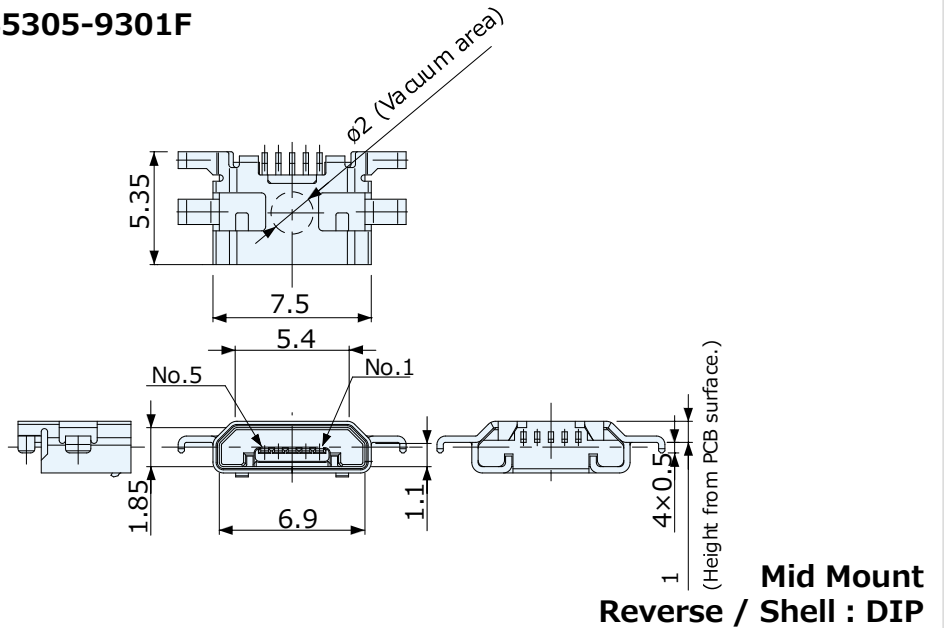
**On Board  
Reverse / Shell : DIP(Front)·SMT(Rear)**

# Interface Connectors

## USB2.0 Micro-B Receptacle



**CSS5305-9301F**



**CSS5305-4503F**

